



NRSM Series

Wire Wound SMD Power Inductor

Size 252012



FEATUERS

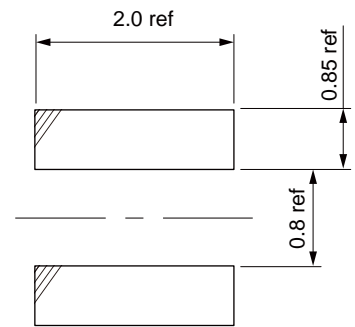
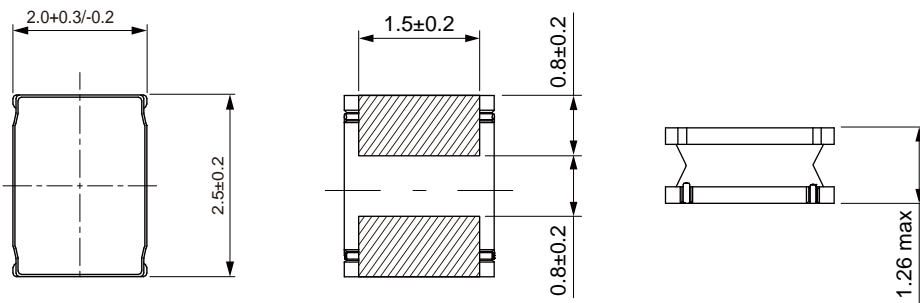
-
-
-

APPLICATION

-
-

Dimensions: [mm]

Land Pattern: [mm]



Electrical Properties:

Part No		Tolerance	Temperature Rise Current Typ. (A)	Satura on Current Typ. (A)	DC Resistance Typ. ()	DC Resistance Max. ()

Temperature rise current: the actual value of DC current when the temperature rise is T40 °C
 Saturation Current that will cause initial inductance to drop approximately 30%

